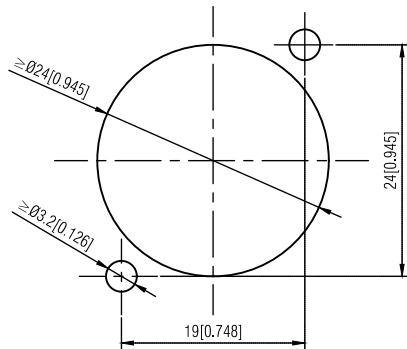
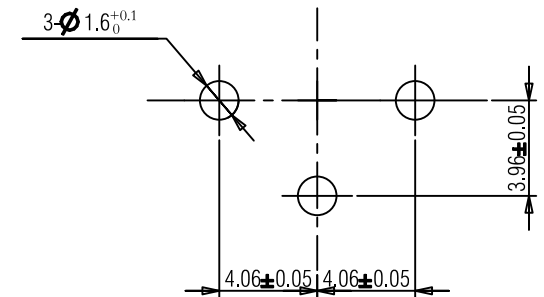


Panel Cut out dimension



PCB mounting size:



- Note:
1. All dimensions in mm.
 2. Tolerances not specified is ± 0.1 mm.

				THIS DOCUMENT IS THE PROPERTY OF NEUTRIK. NO PART THEREOF MAY BE REPRODUCED AND USED WITHOUT THE PRIOR WRITTEN CONSENT OF THE OWNER		Material:		Scale:		Date:		Name:	
								2 : 1 (A3)		2023.08.18		Summer.Xia	
										2023.08.18		Oliver	
												1	
												1	
												Drawing No.:	
Rev.	Revision Details	Date	Name	RRX3M-Z-012-0				REAN					