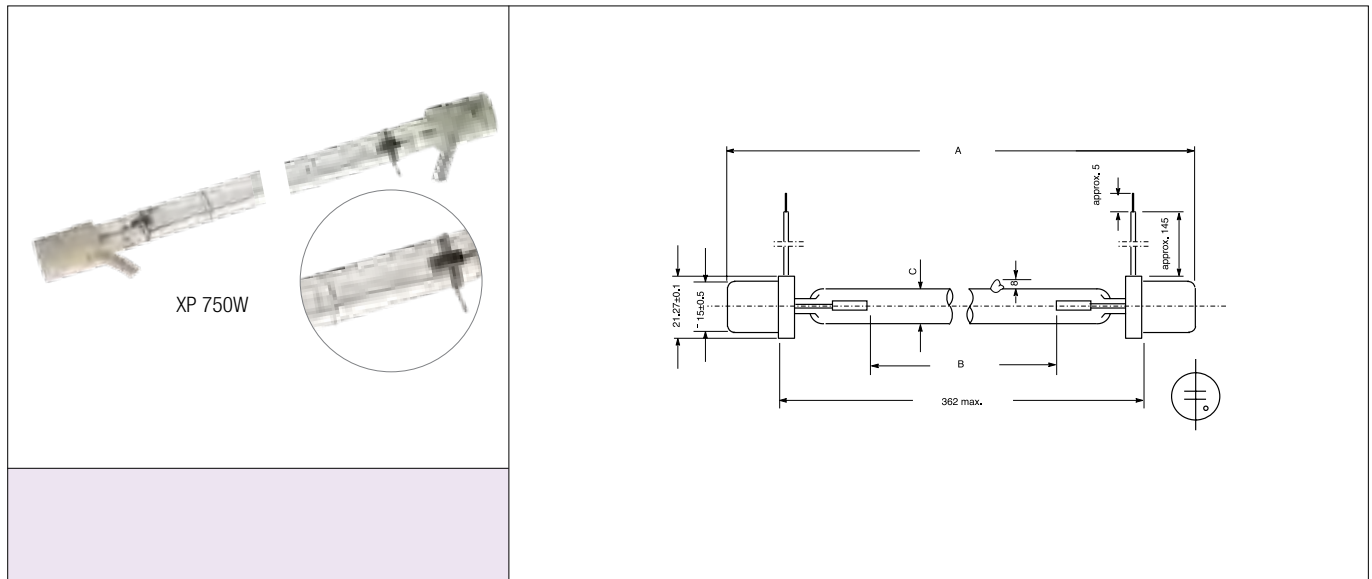


PULSED XENON

Instant ignition lamps creating a strobe effect.



FEATURES

- Near continuous spectrum ranging from 200-1000nm
- Colour temperature: 5400K. Xenon spectrum, similar to daylight
- Instant ignition, no warming up time
- Can be dimmed

APPLICATIONS

- Strobe lights in discos

DIRECTIONS FOR USE

- Operate on a semi resonant ballast
- Ignitor providing a starting pulse of 10kV required
- Forced –air cooling needed
- Due to the high starting voltage, use only insulated lampholders
- The UV radiation must be cut out with a filter glass



Item description	Watt	Lamp current	Cap	Rated Av. Life	Max.Pinch Temp.	Max.Bulb Temp.	Dimensions (mm)			Packing Quantity	Ordering Code
	W	A					A	B	C Ø		
XP 750W	750	12.3	Cable 15.8/14.7	500	350	650	244	158	12	10	0060900
XP 1500W	1500	10.7	Cable 15.8/14.7	500	350	650	398	312	12	10	9023475
XP 2500W	2500	16.0	Cable 15.8/14.7	500	350	650	543	457	12	10	9023401